

Specification for the Installation of FLOORTHERM MP in a Timber Ground Floor

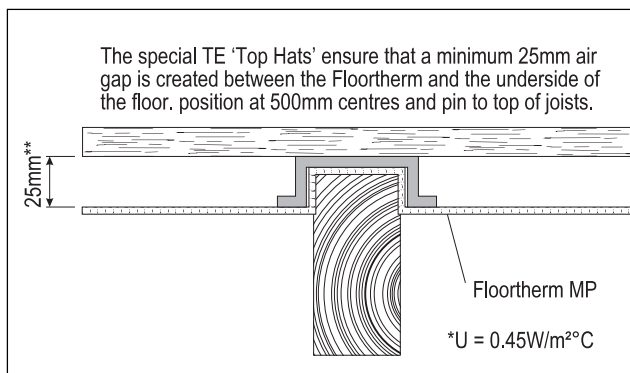
METHODS OF APPLICATION

A) PARALLEL TO TIMBER JOISTS (see fig. 1)

1) After allowing for dressing membrane up wall as shown in fig. 3 roll out continuously along the joists as shown in fig. 1.

2) Line up the outer edges of the membrane with the outer edges of the joists as shown and temporarily staple to the top of the outer joists only at 250mm approx. After allowing for dressing up opposite wall (see fig. 3) cut to length.

3) Fix membrane to joists with TE 'Top Hats' at 500mm centres max as shown and detailed in Detail A. Fix the membrane to the sides of the joists as close to the perimeter walls as possible and fix along the joists with 'Top Hats' at maximum 500mm centres. Repeat the procedure lapping the next run of Floortherm MP on top of the joists – temporarily stapling – then fixing with 'Top Hat' channels at 500mm centres until the total floor area is insulated.



Detail A

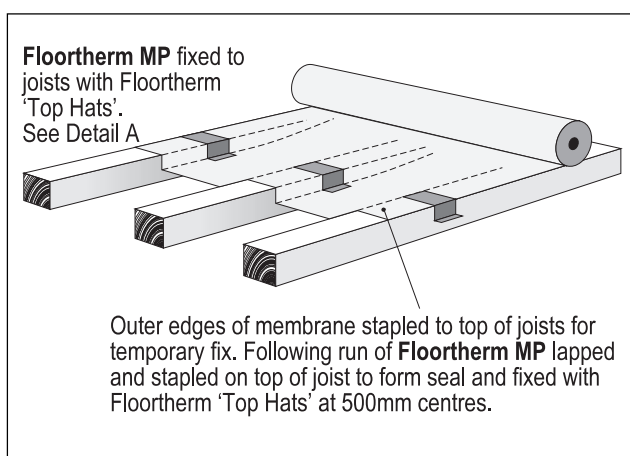


Fig. 1

4) At the other perimeter edges of the floor – where the Floortherm is running across the joists – the membrane should be dressed up the wall as shown in fig. 3. TE 'Top Hat' channels must be used to fix Floortherm MP to the joists to ensure required min 25mm** air gap beneath floor is maintained.

5) The flooring should be installed by fixing through the Floortherm onto the battens taking care that the material is left protruding above the floor to be eventually held behind the skirting board as shown in fig. 3.

B) ACROSS TIMBER JOISTS (see fig. 2)

6) After dressing membrane up wall (see fig. 3) roll out across the joists as shown in Fig. 2.

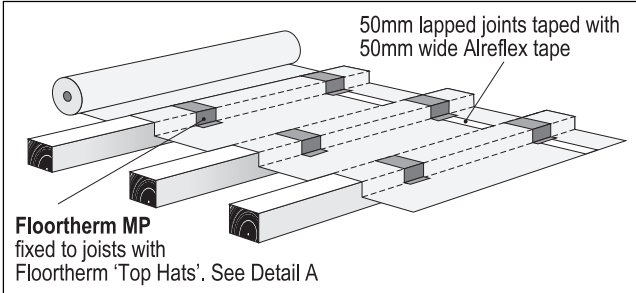


Fig. 2

7) Fix the Floortherm MP to the joists with Floortherm 'Top Hats' as shown and detailed in Detail A. Pin the membrane to the sides of the joists close to the edge of the membrane and at 300mm centres approx. After fixing the membrane to the sides of all the floor joists dress up the opposite wall as fig. 3 and cut to length.

8) Repeat this procedure – lapping the edge of the membrane 50mm over the edge of the previous run as shown and fix with the Floortherm 'Top Hats' until the total floor area is insulated.

9) At the other perimeter edges of the floor – where the Floortherm MP is running parallel to the joists – the membrane should still be dressed up the wall similar to fig. 3.

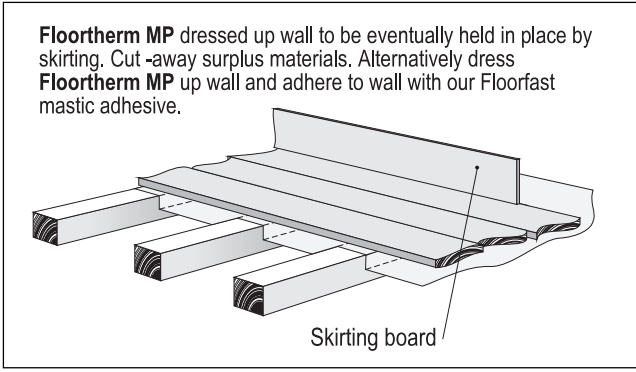


Fig. 3

10) Seal all 50mm lap joints with 50mm wide Alreflex Tape. Floortherm 'Top Hats' must be used to fix Floortherm MP to the joists and ensure the required minimum 25mm air gap beneath the timber floor is maintained.

N.B. Pertinent to both methods of application.

Seal Floortherm MP against perimeter walls above floor by fixing behind skirting boards as shown in fig. 3 or/and seal to wall with our mastic adhesive Floorfast.

****N.B. In cases where an enhanced thermal resistance is required Floortherm 'Top Hats 50' should be used to enlarge the air gap between the Floortherm and the underside of the floor. Contact Thermal Economics Technical Department for further details.**

If after reading the above you still have queries regarding the installation of Floortherm MP please contact The Technical Department of Thermal Economics Ltd. on tel. 01582 450814 or fax. 01582 429305 **before installing the material**